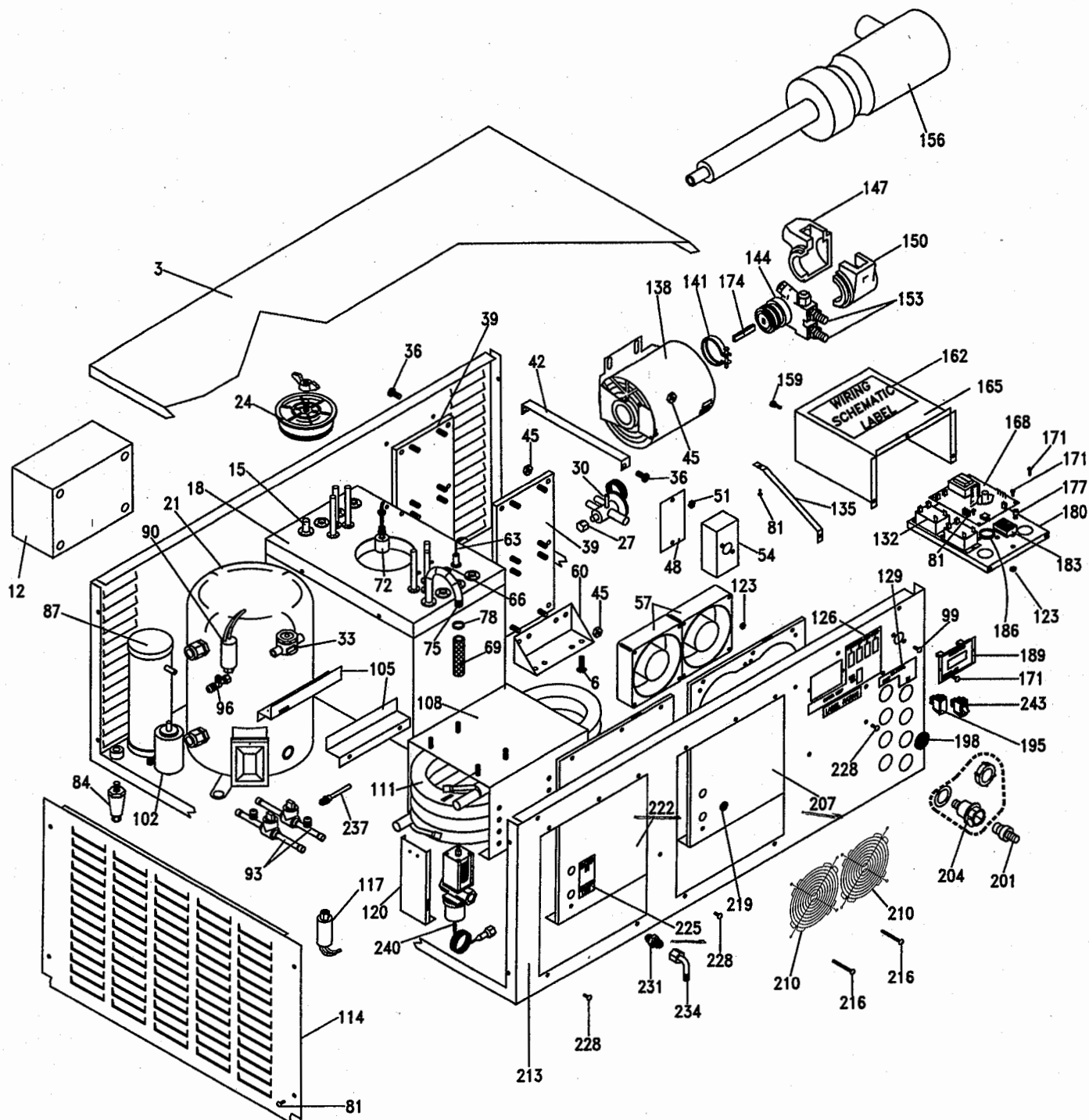


DOVE MANUFACTURING INC.  
GCW 2000 3000

5086A  
02/17/06



CORPORATE OFFICES

**CLELAND SALES CORPORATION**

11051 VIA EL MERCADO, LOS ALAMITOS, CA 90720  
PHONE (562) 598-6616 FAX (562) 598-3858

PLANT

**DOVE MANUFACTURING INC.**

3440 S. Hwy W, WINFIELD, MO. 63389  
PHONE (636) 528-8591 FAX (636) 528-8506

MGCW2.W 1 PARTS LISTS GCW 2000 3000

REB 01-20-06 / 02-10-06

ITEM	PART	CODE	DESCRIPTION
3	4738A	P	PART: CABINET COVER [CRESCO] - GCO2000
6	5087A	P	SCREW SS 1/4-20 X 3/4 SL HEX HD (SPN 04 0065 000)[ALLOY #SIMSSS14
12	5948A	P	COMP ELECTRICAL BOX FOR MTZ18 & MTZ22 [MCMMASTER #75065K13] - GCW,
15	4776A	M	PLUG GLYCOL TANK .50 DIA PICKUP/DISCHARGE OPENING (R 5903A) - GC
18	5779A	PA	TANK WATER ASSY TYPE 2 WITH THREE EVAP TUBES - GCA2000, 3000
21	5623A	P	COMP R404A 1.5HP MANEUROPE 208/230V [DANFOSS #MTZ18JALVE] - GCW,
21	5624A	P	COMP R404A 2.0HP MANEUROPE 208/230V [DANFOSS #MTZ22JCl] - GCW, GC
24	4407A	P	PLASTIC CAP GLYCOL FOR SS RESERVOIR TANK
27	5971A	P	REF VALVE ORIFICE #6 FOR TXV VALVE (DPN# 5681A) [DANFOSS #068U103
	5771A	P	REF VALVE ORIFICE #7 FOR TXV VALVE (DPN# 5681A)[DANFOSS #068U1037
30	5681A	P	REF VALVE TXV 404A 3/8 X 1/2 [DANFOSS #068U228700] - GC-EV ALL, B
33	5941A	P	REF SIGHT GLASS 3/8 SOLDER [DANFOSS #14-0143] - GCW, GCA
36	3904A	P	SCREW SS 1/4-20 X 3/4 SL PAN HD
39	4743A	P	PART: MOTOR WALL BRKT 2 PUMPS - GCO ALL
42	4742A	P	PART: MOTOR PUMP BRKT BRACE [ACU] - GCO2003, 2004
45	4373A	P	NUT SS 1/4-20 HEX WITH TOOTHED WASHER (SPN 18 9429 000)[ALLOY #NK
48	4729A	P	HANDY BOX COVER [MCMMASTER #71695K27]
51	2941A	P	NUT SS 10-32 HEX (SPN 39 8024 400)[ALLOY #NMSSS10F]
54	4728A	P	HANDY BOX 1 7/8" DEEP [MCMMASTER #71695K21]
57	5718A	P	MOTOR FAN 160 CFM 230V (SPN 96 1016 000)[L.W. SUPPLY PABST #5656S
60	4741A	P	PART: MOTOR FLOOR MTG BRKT 2 PUMPS [ACU] - GCO1003, 2003, 2004
63	5733A	P	THERMISTOR W/EXTENDED LEADS - GLYCOL
66	5737A	M	PLUG GLYCOL TANK .31 DIA THERMOMETER OPENING (R 5902A) - GCO ALL
69	5900A	P	TUBING REINFORCED PVC NT 80 1/2 ID X 13/16 OD/FT [ADVANCED BEVERA
72	4781A	P	SWITCH FLOAT ASSY (OSPN 32 5288 000)
75	4779A	P	SS TUBE PICKUP/DISCHARGE W/.5" BARB [FITTINGS INC.] - GCO ALL
78	5727A	P	CLAMP HOSE STEPLESS 22.6 [MANITOWOC #16701041] - GLYCOL
81	3088A	P	SCREW SS 8-32 X 3/8 PH TRUSS HD (SPN 96 0653 000)[ALLOY #PTMSSS08
84	2637A	P	LEG CABINET 4" ADJ
87	5595A	PA	TANK RECEIVER ASSY 1/4 SWEAT NO VALVES [REFRIGERATION RESEARCH #2
90	5510A	P	SWITCH PRESSURE CONTROL LOW OPEN 20 CLOSE 45 [JOHNSTONE #B11-776]
93	5593A	P	REF VALVE MANUAL 3/8 SWEAT 1/4 TURN (ON TO OFF)[UNITED #38BVT]
96	5689A	P	BRASS ACCESS TEE 1/4" FLARE SWIVEL NUT ON RUN [JOHNSTONE #B13-512
99	3023A	P	SCREW SS 10-32 X 1/2 PH TRUSS HD
102	5940A	P	DRIER REFRIGERANT 3/8 SOLDER (DCL 083S)[DANFOSS #023Z5023] - GCW,
105	5075A	P	PART: CONDENSER WATER & CIR PUMP BRKT - GCW ALL
108	5076A	P	PART: CONDENSER WATER & CIRC PUMP SUPPORT - GCW ALL
111	5046A	P	CONDENSER WATER EDWARDS B 1 1/2 [EDWARDS ENGINEERING #TT22293] -
111	5546A	P	CONDENSER WATER B 2 [EDWARDS ENGINEERING #TT22294] - GCW3000
114	4744A	P	PART: PANEL ACCESS [CRESCO] - GC ALL
117	5448A	P	SWITCH PRESSURE CONTROL HIGH OPEN 400 CLOSE 300 [JOHNSTONE #B11-7
120	5074A	P	PART: BRKT PRESSURE VALVE - GCW ALL
123	4851A	P	NUT SS 6-32 KEPS (SPN 33 0181 000)
126	4823A	P	LABEL CONTROL PANEL - GC ALL
129	5007A	P	LABEL GLYCOL IN/OUT - GCO/GCW-500, 750, 1000
132	4651A	P	RELAY CIRCUIT BOARD - GCO1002
135	4771A	P	PART: THERMOSTAT BRKT SUPPORT - GCO ALL
138	4393A	P	MOTOR PUMP 1/3HP 115V/220V EMERSON [PROCON #828](CAN REPLACE 5049
141	4339A	P	CLAMP PUMP [PROCON #1113]
144	5414A	P	PUMP W/NYLON GLASS FILLED COUPLING [PROCON #102C100F11BB-130] - G
147	4898A	P	INSULATION PUMP RIGHT SIDE [LANCER #50-0113]
150	4899A	P	INSULATION PUMP LEFT SIDE [LANCER #50-0270]
153	5949A	P	BRASS CONNECTOR MALE 3/8 MPT X 1/2 BARB [CSC #125-86] - GC ALL

MGCW2.W 1 PARTS LISTS GCW 2000 3000

REB 01-20-06 / 02-10-06

ITEM	PART	CODE	DESCRIPTION
156	4790A	P	GLYCOL PRE-FILTER ASSY [CSC #000010] - GC ALL
159	5016A	P	BRASS SCREW 8-32 X 3/8 THUMB [ALLIED #16C37SK21]
162	5214A	P	LABEL WIRING SCHEMATIC CONTROL BOARD - GCA/GCW 1000, 2000, 3000
165	4751A	P	PART: SHIELD FOR THERM ELEC [CRESCO] - GCO750, 1000, 2000
168	4657A	P	BOARD CIRCUIT (USES 4651A RELAY - EXTERNAL) - 1 & 1 1/2 HP GLYCOL
171	3190A	P	SCREW MA 6-32 X 3/8 PH PAN SS (SPN 34 3326 000)[ALLOY #PPMSSS06C0
174	5416A	P	PUMP NYLON GLASS FILLED COUPLING [PROCON #1143-2]
177	3814A	P	SPACER .375 DIA X .187" LONG [HEYCO X332] - CP, CPA, GCR
180	4770A	P	PART: THERMOSTAT BRKT [CRESCO] - GCO ALL
183	5220A	A	TERMINAL BLOCK ASSY - GC1000, 2000
186	5776A	P	BUSHING SNAP SB-1250-16 [H.W. ECKHARDT #2201]
189	4656A	P	DISPLAY DIGITAL - GLYCOL CIRCUIT BOARDS
195	4775A	P	PLUG BUTTON .562 X 1.125 HOLE (SPN 96 0913 000)[ELECTRIC SWITCHES
198	4774A	P	PLUG 1.25 DIA CABINET HOLE RUBBER [CAPPLUGS] - GCO ALL
201	5567A	P	FITTING HOSE BARB INSERT STRAIGHT 1/2" [NOR-CAL #HFC-228-35]
204	4662A	P	FITTING HOSE BARB BODY BULKHEAD PANEL MOUNT 1/2" [NOR-CAL #HFC-16
207	5057A	P	PART: CONDENSER OPENING PLATE W/FAN - GCW ALL
210	5714A	P	FAN GUARD FOR 160 CFM MOTOR [L.W. SUPPLY #L072701] - GCW ALL, GCR
213	4736A	P	PART: CABINET [CRESCO] - GCO2000
216	3550A	P	SCREW SS 8-32 X 2.0 PH TRUSS HD
219	5066A	P	PLUG .625 DIA CABINET HOLE PLASTIC [CABLE COMPONENTS #3071]
222	5080A	P	PART: CONDENSER OPENING PLATE W/O FAN - GCW 2000
225	5073A	P	LABEL "CONDENSER WATER" - GCW ALL
228	3024A	P	SCREW SS 8-32 X 1/2 PH TRUSS HD (SPN 34 3842 000)[ALLOY #PTMSSS08
231	5081A	P	SS CONNECTOR MALE 3/8 MF X 3/8 MF [CHUDNOW #S460-66]
234	3854A	P	SS ELBOW 3/8 SW NUT X 3/8 BARB [CHUDNOW #S30-66]
237	4798A	P	VALVE REFRIG ACCESS CU W/CORE (5/PK)[UNITED REFRIGERATION #A31004
240	5047A	P	VALVE WATER REG/PRESSURE TYPE WVFX 10 [DANFOSS #003N5005] - GCW A
243	5229A	P	SWITCH REFRIGERATION [WESGARDE #C1300XRBBR-602AR] - GLYCOL

## Parts Not Shown GCW 2000 3000

	4663A	PA	BOX SHIPPING CARTON ASSY 40-INCH (R 4664A (4), 4665A (4), 4668A (
	5946A	P	COMP CAPACITOR RUN 1.5HP (MTZ18) 208/230V [DANFOSS #7304533] - GC
	5947A	P	COMP CAPACITOR RUN 2.0HP (MTZ22) 208/230V [DANFOSS #7304522] - GC
	5942A	P	COMP CAPACITOR START/RELAY 1.5HP (189-227uF)[SEALED UNIT PARTS #S
	5899A	P	COMP CAPACITOR START/RELAY 2.0HP (233-280uF)[SEALED UNIT PARTS #S
	5629A	P	COMP COPPER SOLDER SLEEVES 1 1/4" MPT 5/8 SOLDER [DANFOSS #815301
	5628A	P	COMP COPPER SOLDER SLEEVES 1" MPT 1/2 SOLDER [DANFOSS #8153007]
	5627A	P	COMP COPPER SOLDER SLEEVES 1" MPT 3/8 SOLDER [DANFOSS #8153010]
	5901A	P	COMP CRANKCASE HEATER KIT 35W 200/600V [DANFOSS #PTC] - GCW, GCA3
	5558A	P	CONNECTOR ROMEX 1/2" CONDUIT [UNITED #N1320] - GCR
	5631A	P	LABEL WIRING SCHEMATIC - GCA/GCW2000V, 3000V W/MANEUROPE COMP
	4719A	P	LABEL WIRING SCHEMATIC - GCA/GCW 1000, 2000
	4822A	P	LABEL "1 2 3 4" - GCO
	5086A	P	MANUAL SERVICE - GCW2003, 2004
	5168A	P	PART: BRKT BULKHEAD - GCW
	5163A	P	REF DISTRIBUTOR 3-CIRCUITS [SPORLAN VALVE #1613-3-1/4-4][ALCO #4-4
	5089A	P	WASHER 1/4 EXTERNAL LOCK SS (SPN 96 0900 000)
	5088A	P	WASHER 1/4 FLAT SS (SPN 15 0779 000)[ALLOY #WFLSS14]
	4803A	P	WIRE BLU 13" THERM ELEC/TB5 [LAMCOR]
	4830A	P	WIRE BLU 14" HANDY BOX/TB4 [LAMCOR] - GC1000, 2000

MGCW2.W 1 PARTS LISTS GCW 2000 3000

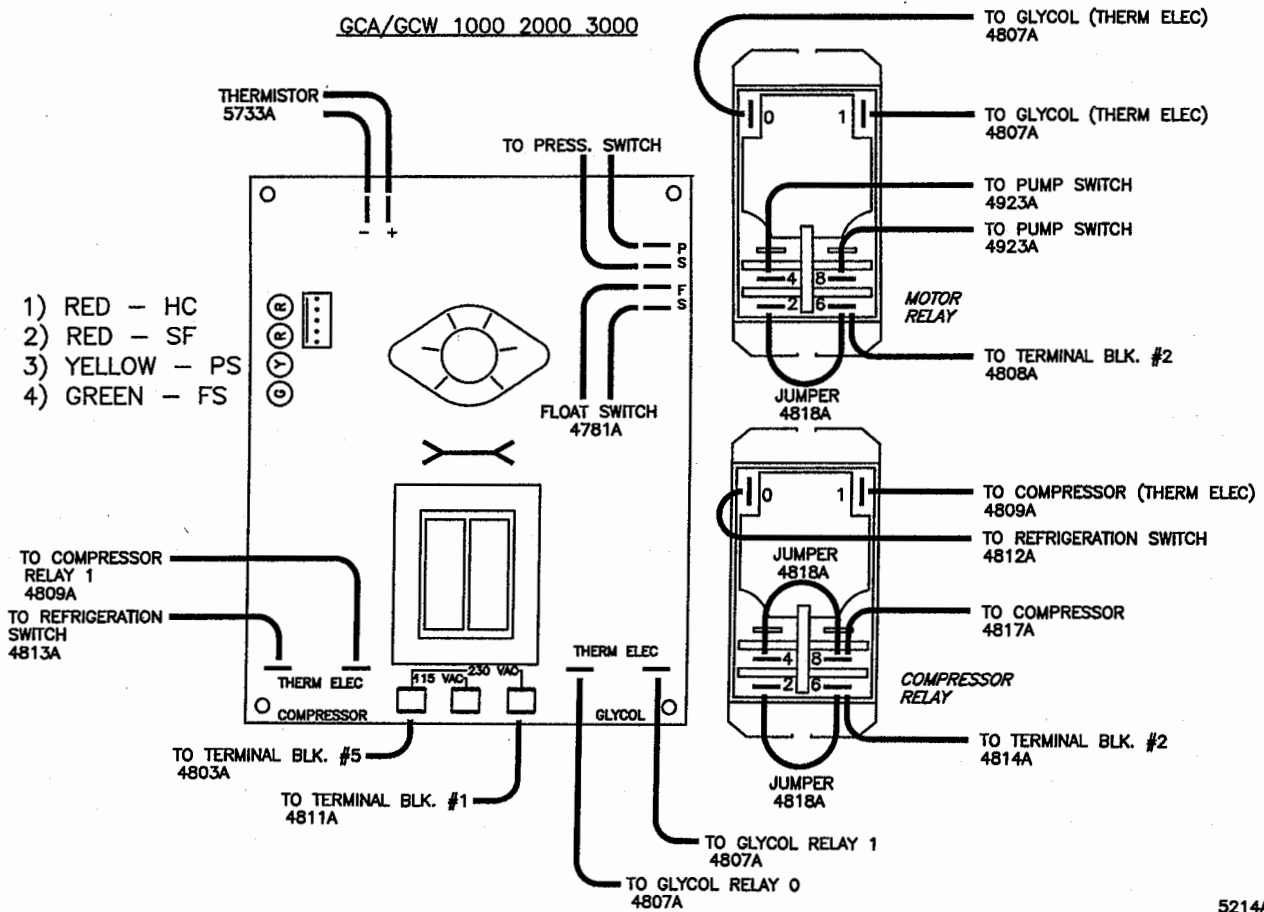
REB 01-20-06 / 02-10-06

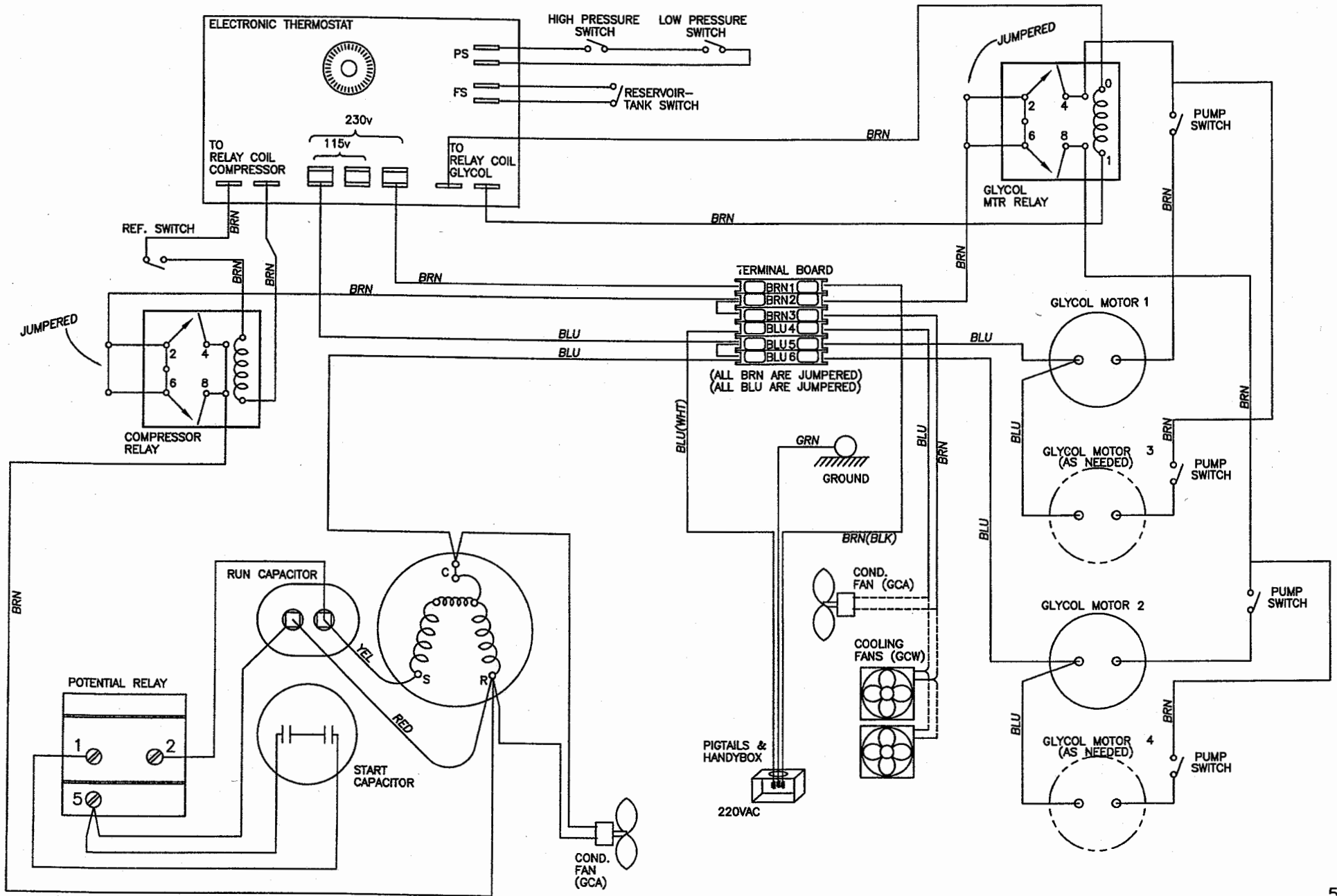
ITEM	PART	CODE	DESCRIPTION
	4804A	P	WIRE BLU 18" GLYCOL MTR1/MTR3 OR MTR2/MTR4 [LAMCOR]
	4805A	P	WIRE BLU 32" TB5/MTR1 OR TB6/MTR 2 [LAMCOR]
	4806A	P	WIRE BLU 48" COMP RELAY/TB6 [LAMCOR]
	4807A	P	WIRE BRN 8" GLYCOL RELAY 0 OR 1/THERM ELEC [LAMCOR]
	4808A	P	WIRE BRN 9" GLYCOL RELAY 2 & 6/TB2 [LAMCOR]
	4809A	P	WIRE BRN 10" COMP RELAY COIL/THERM ELEC [LAMCOR]
	4923A	P	WIRE BRN 10" GLYCOL RELAY 4 OR 8/MTR SWITCH 1 OR 2 [LAMCOR]
	4810A	P	WIRE BRN 10" MTR SWITCH 1 OR 3/MTR SWITCH 2 OR 4 [LAMCOR]
	4811A	P	WIRE BRN 13" THERM ELEC/TB1 [LAMCOR]
	4906A	P	WIRE BRN 14" HANDY BOX/TB1 [LAMCOR] - GC1000, 2000
	4812A	P	WIRE BRN 16" COMP RELAY COIL/REF SWITCH [LAMCOR]
	4813A	P	WIRE BRN 16" REF SWITCH/THERM ELEC [LAMCOR] - GC1000, 2000
	4814A	P	WIRE BRN 17" COMP RELAY 2 OR 6/TB2 [LAMCOR]
	4816A	P	WIRE BRN 24" MTR 3 OR 4/MTR SWITCH [LAMCOR]
	4973A	P	WIRE BRN 32" MTR 1 OR MTR 2/MTR SWITCH [LAMCOR]
	4818A	P	WIRE BRN JUMPER F 4.5" [LAMCOR] - GCO, GCW
	5006A	P	WIRE GND GRN 14" 5/64 INS [LAMCOR] - GC1000, 2000
	3688A	P	WIRE HARNESS BLU CONDENSER/RELAY [LAMCOR] - GCW-ALL, OJ234, OJ23
	3612A	P	WIRE HARNESS BRN CONDENSER/OVERLOAD [LAMCOR] - GCW-ALL, OJ234, OJ
	5722A	P	WIRE RED 35" RUNCAP 5/COMP R [LAMCOR] - GC3000
	5114A	P	WIRE SPIRAL WRAP 3/8" BLACK/FT (100'/SPOOL)[MCMASTER #7432K42]
	5723A	P	WIRE YELLOW 35" RUNCAP 2/COMP S [LAMCOR] - GC3000

INDICATOR LIGHT IDENTIFICATION (INDICATES CONDITION OF SYSTEM WHEN LIT)

- 1) RED - HOT/COLD RUN LIGHT: INDICATES COMPRESSOR IS RUNNING
- 2) RED - SENSOR FAILURE LIGHT: INDICATES SENSOR FAILED
- 3) YELLOW - PRESSURE SWITCH LIGHT: INDICATES REFRIGERANT PRESSURE TOO HIGH OR TOO LOW
- 4) GREEN - FLOAT SWITCH LIGHT: INDICATES LOSS OF GLYCOL

GCA/GCW 1000 2000 3000







Dove Manufacturing Co. Inc.  
 Installation Information for GCW-200x  
 (636) 528-8591

110° WATER OUTLET 70° WATER SUPPLY TEMP  
 GCW WATER 24 HOUR USAGE IN GALLONS

MODEL	50 % COMP RUN	100 % COMP RUN
GCW 2002, 2003, 2004	950 Gal	1900 Gal

WATER LINE TO PROVIDE 80 GALLON PER HR  
 1.4 GALLON PER MINUTE

WATER INLET FITTING 3/8 MALE FLARE

ELECTRICAL USAGE	208/230 VOLT 1 PHASE		
	2002	2003	2004
MODEL			
COMP AMPS	9.3	9.3	9.3
CIRC MTRS	4.2	6.3	8.4
FAN MTRS	0.3	0.3	0.3
TOTAL AMPS	13.8	15.9	18.0
MINIMUM AMPS FOR WIRE SIZING	18	20	23
MAXIMUM FUSE SIZE	30	30	30

REFRIGERANT 404A 75 OZ  
 DESIGN PRESSURE 300 PSIG

TOTAL SHIPPING WEIGHT: 340 POUNDS  
 SIZE (INCHES): 26 X 40 X 16 HIGH (EXCLUDING 4" LEGS)



Dove Manufacturing Co. Inc.  
 Installation Information for GCW-300x  
 (636) 528-8591

110° WATER OUTLET 70° WATER SUPPLY TEMP  
 GCW WATER 24 HOUR USAGE IN GALLONS

MODEL	50 % COMP RUN	100 % COMP RUN
GCW 3002, 3003, 3004	950 GaL	1900 GaL

WATER LINE TO PROVIDE 80 GALLON PER HR  
 1.4 GALLON PER MINUTE

WATER INLET FITTING 3/8 MALE FLARE

ELECTRICAL USAGE	208/230 VOLT 1 PHASE		
	<u>3002</u>	<u>3003</u>	<u>3004</u>
MODEL			
COMP AMPS	12.1	12.1	12.1
CIRC MTRS	4.2	6.3	8.4
FAN MTRS	0.3	0.3	0.3
TOTAL AMPS	<u>16.6</u>	<u>18.7</u>	<u>20.8</u>
MINIMUM AMPS FOR WIRE SIZING	19	21	23
MAXIMUM FUSE SIZE	30	35	35

REFRIGERANT 404A 80 OZ  
 DESIGN PRESSURE 300 PSIG

TOTAL SHIPPING WEIGHT: 340 POUNDS  
 SIZE (INCHES): 26 X 40 X 16 HIGH (EXCLUDING 4" LEGS)